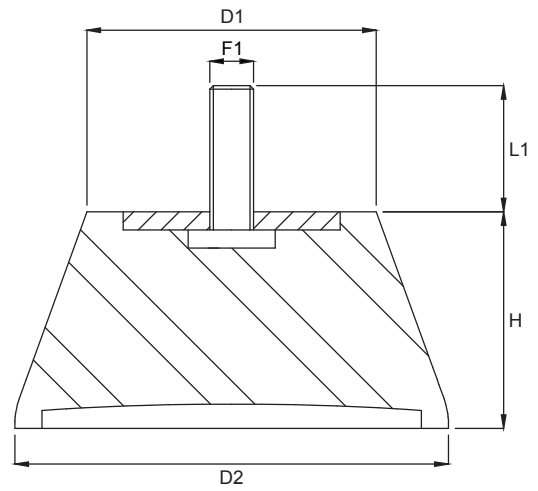


ANTIVIBRANTE TIPO VBF



| CODICE | D1 mm | D2 mm | H mm | F1 mm | L1 mm | Max Carico Comp. daN | Def. Mm |
|------------------|----------|----------|---------|----------|----------|-------------------------|------------|
| VBF11080481260 | 80 | 110 | 48 | M12 | 28 | 315 | 7,5 |
| VBF15095601260 | 95 | 150 | 60 | M12 | 28 | 790 | 7,5 |
| VBF150951001260 | 95 | 150 | 100 | M12 | 28 | 770 | 15 |
| VBF1681101051660 | 110 | 168 | 105 | M16 | 42 | 900 | 19 |